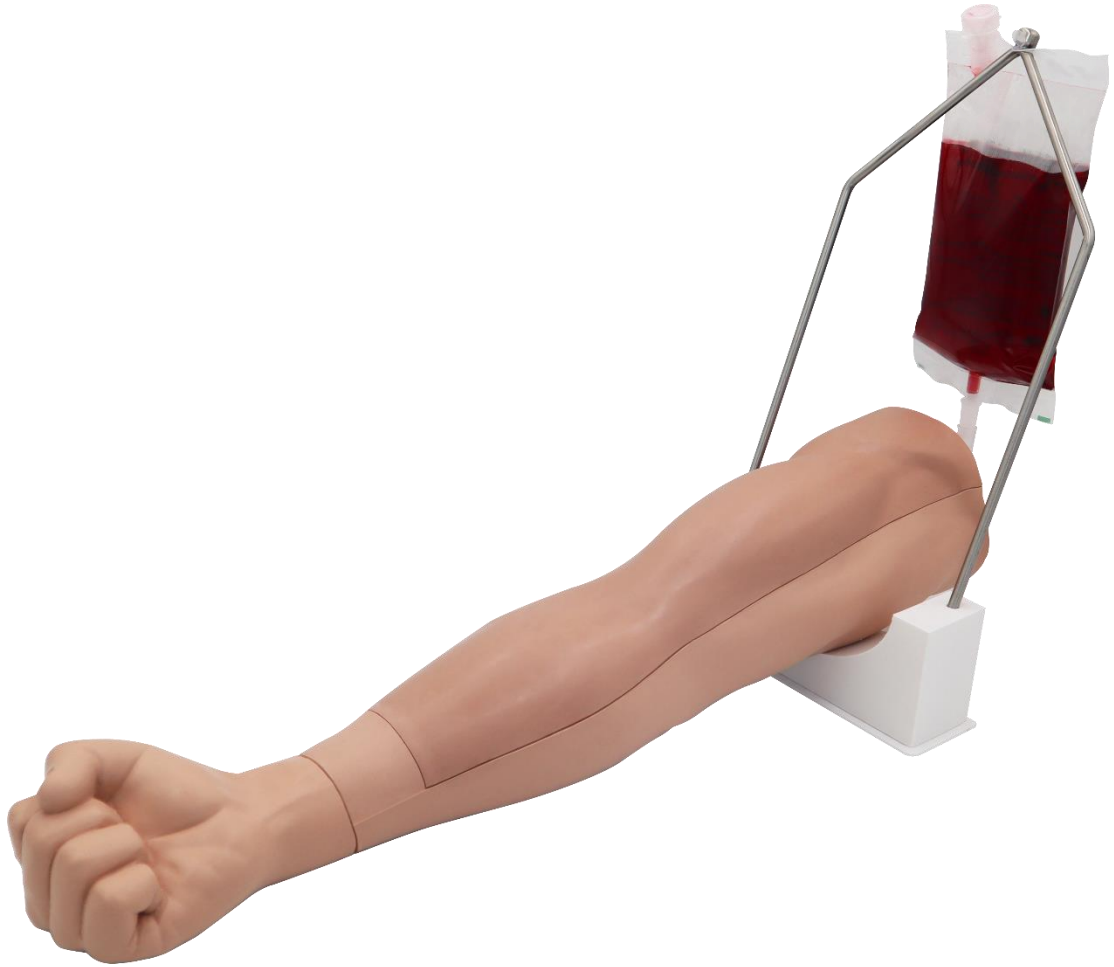


# Venipuncture arm model1



Artimed

## Handling and safety precautions



Please read the following instructions carefully to ensure proper use and maintain user safety by fully understanding the production.

- The arm contains substance called Talcum. which may cause an allergic reaction to some individuals. If a reaction occurs, discontinue use immediately and seek medical attention.
- Only use simulated blood supplied with this product. Using non-recommend fluid may reduce the product's lifespan or cause damage.
- Jewelry or sharps surfaces, such as fingernails, may damage the silicone parts.
- The use of thicker needles or cannulas may shorten the lifespan of the product.
- Do not use the product in temperature below 0°C or above 40°C
- Keep the product away from heat sources and do not expose it to open flames or any sources of ignition.
- When not in use, store the model in cool, and dry place, away from direct sunlight or UV light.
- Do not store the product while it is fill with simulated blood.
- Never clean the product with chemical substance such as solvents, benzene, or thinner, as these may cause ignition and surface deterioration.
- This model is made of special rubber designed to resemble human skin. Please handle it with the same level of care you would give to a real human body.



- The contents of this instruction manual are subject to change without prior notice.
- This instruction manual may not be reproduced, in whole or in part, without the manufacturer's permission.
- If you find any errors in the contents of this manual, please contact the manufacturer.
- Do not use the product for any purpose other than those specified in this manual.

## **Intended use**

Venipuncture Arm Model 1 is an educational tool designed to assist certified instructors in training healthcare students and professionals. It is not a substitute for comprehensive theoretical knowledge or intended for clinical decision-making.

This model is intended for the following training purposes:

Intravenous (IV) injection practice

Peripheral vein puncture, including:

-Basilic vein

-Cephalic vein

-Median cubital vein

Placement of a butterfly catheter

Infusion setup and monitoring, including:

Securing the cannula with dressings

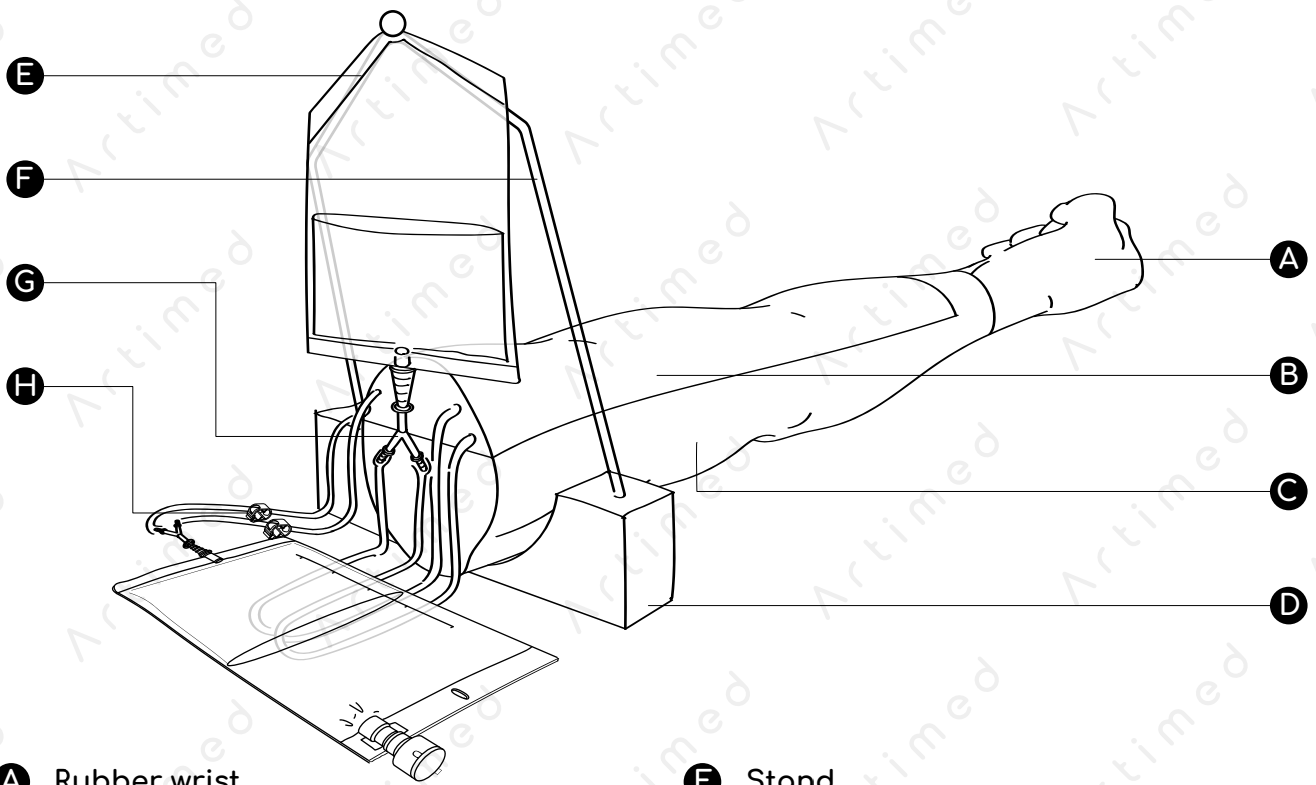
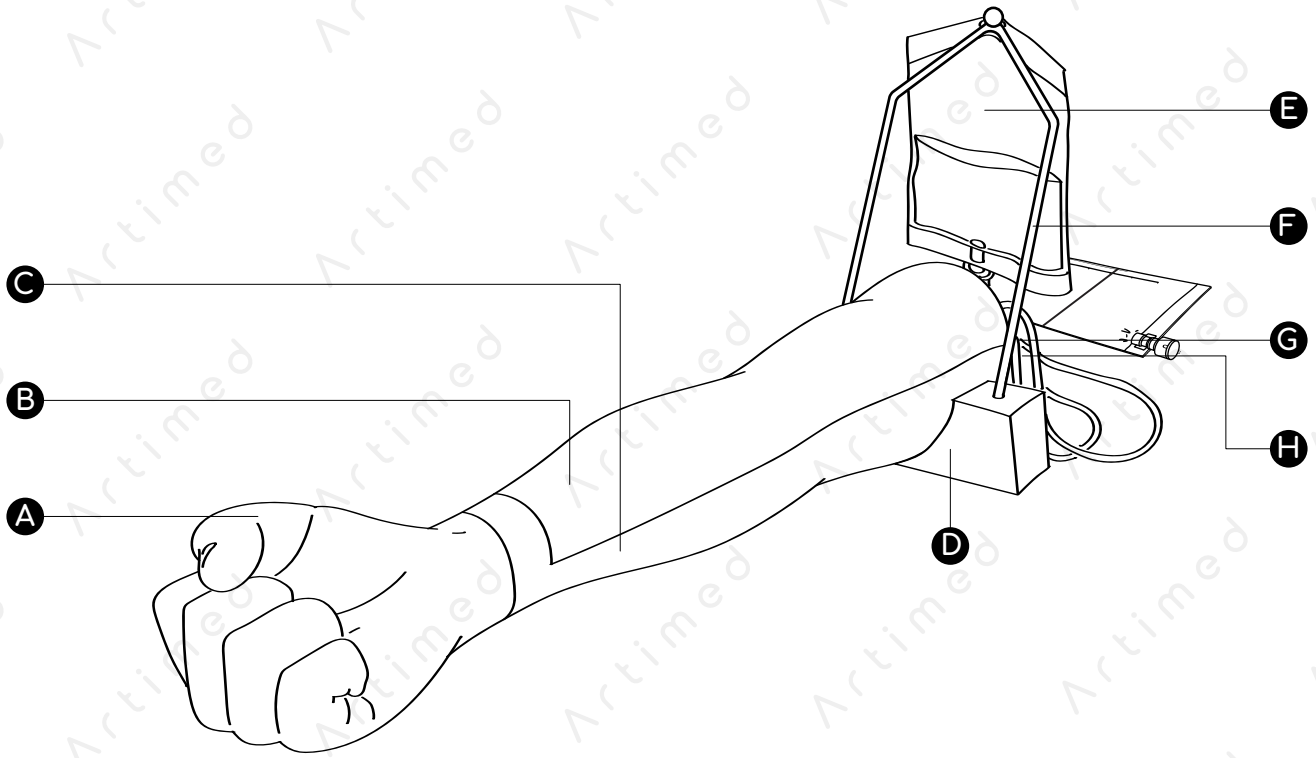
## **Important Notes**

This product is intended for educational use only.

Always follow proper sharps handling protocols during training.

Replace worn-out components (e.g., skin pad or tubing) as needed to maintain training accuracy.

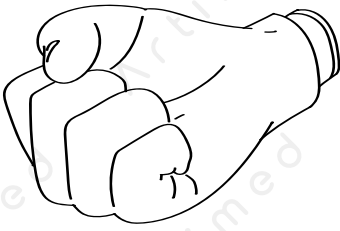
# PACKAGE CONTENT



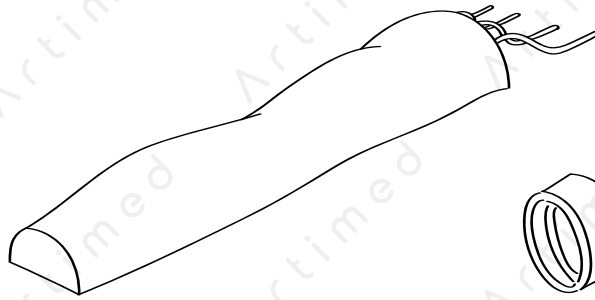
- A** Rubber wrist
- B** Upper part arm ( Skin - pad )
- C** Lower part arm
- D** Arm rest
- E** Blood bag
- F** Stand
- G** Y - shape tube connector
- H** Vein clamp
- I** Artificial blood concentrate ( 500 ml. )

# PACKAGE CONTENT

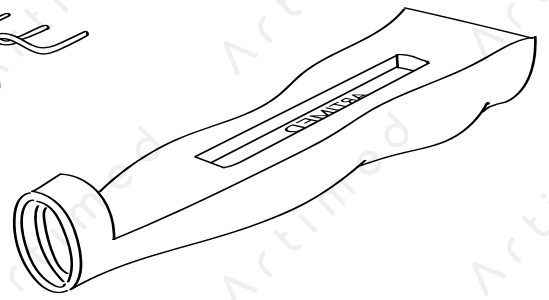
**A** Rubber wrist



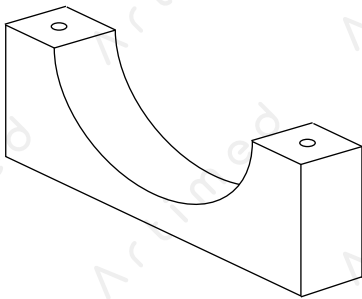
**B** Upper part arm



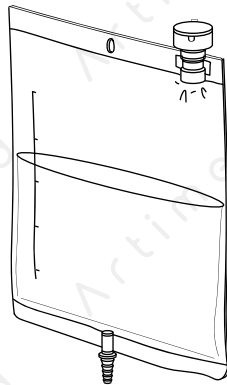
**C** Lower part arm



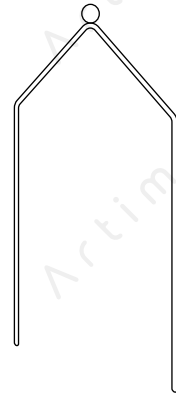
**D** Arm rest



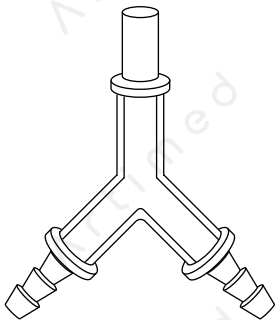
**E** Blood bag



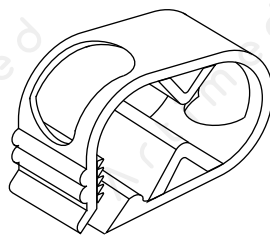
**F** Stand



**G** Y - shape tube

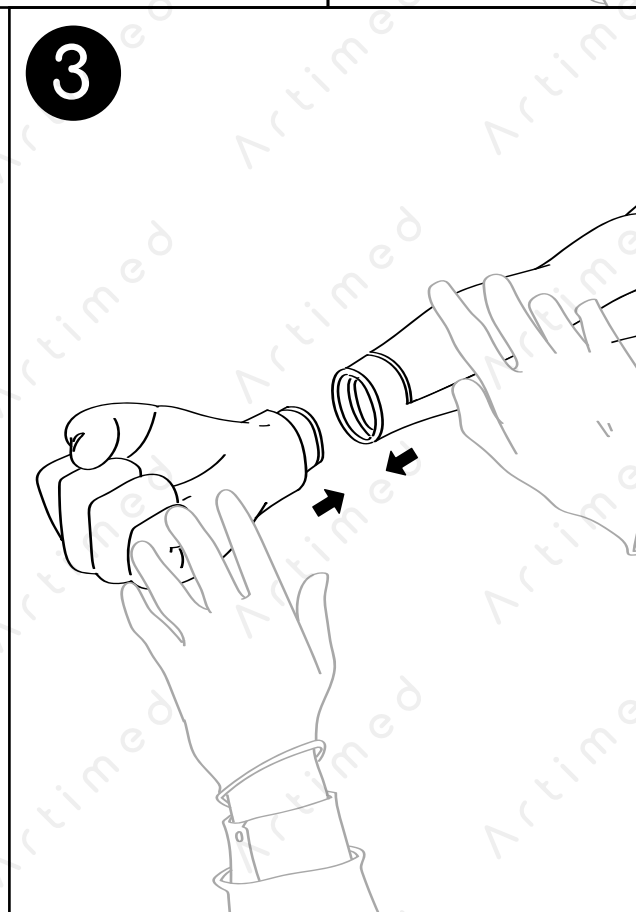
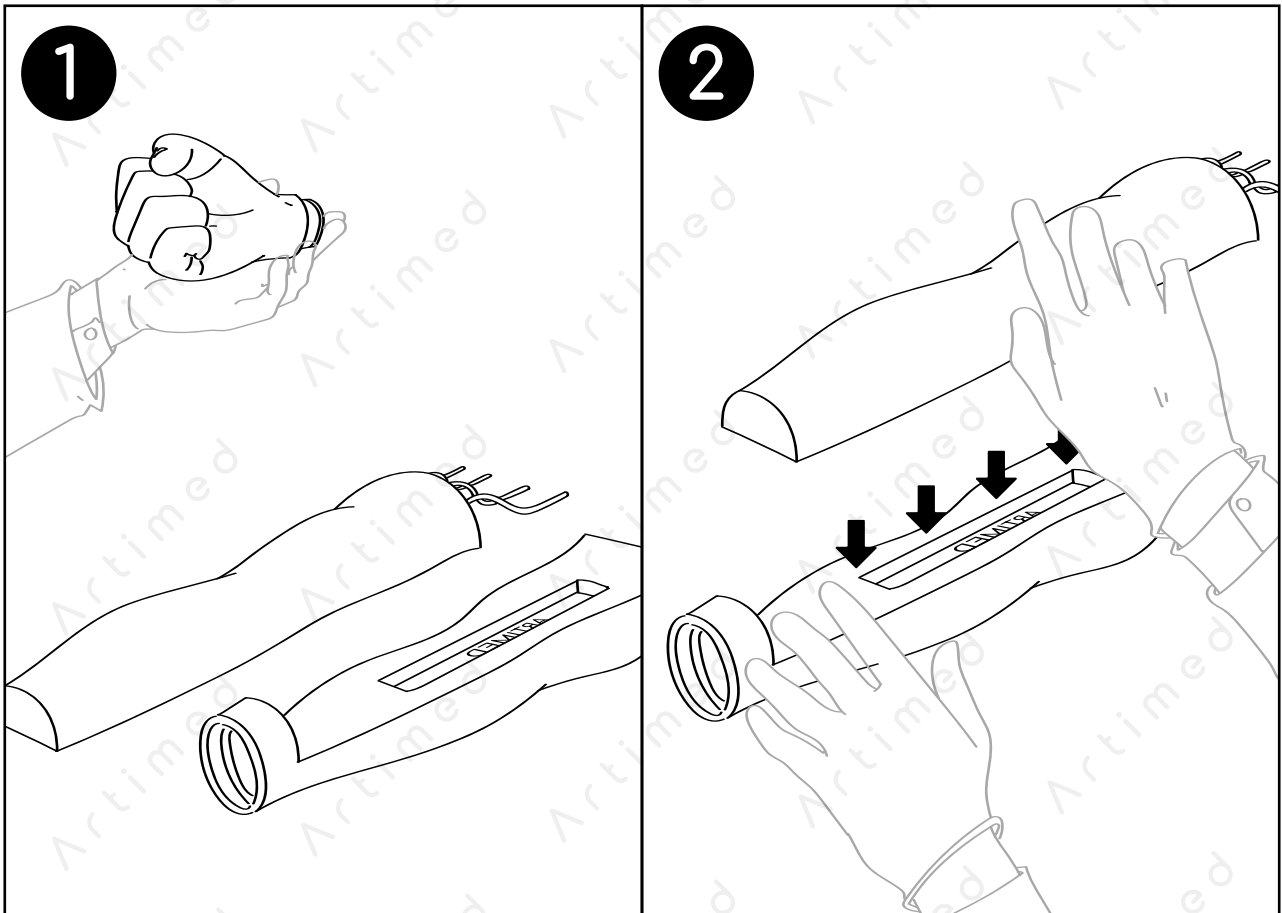


**H** Vein clamp

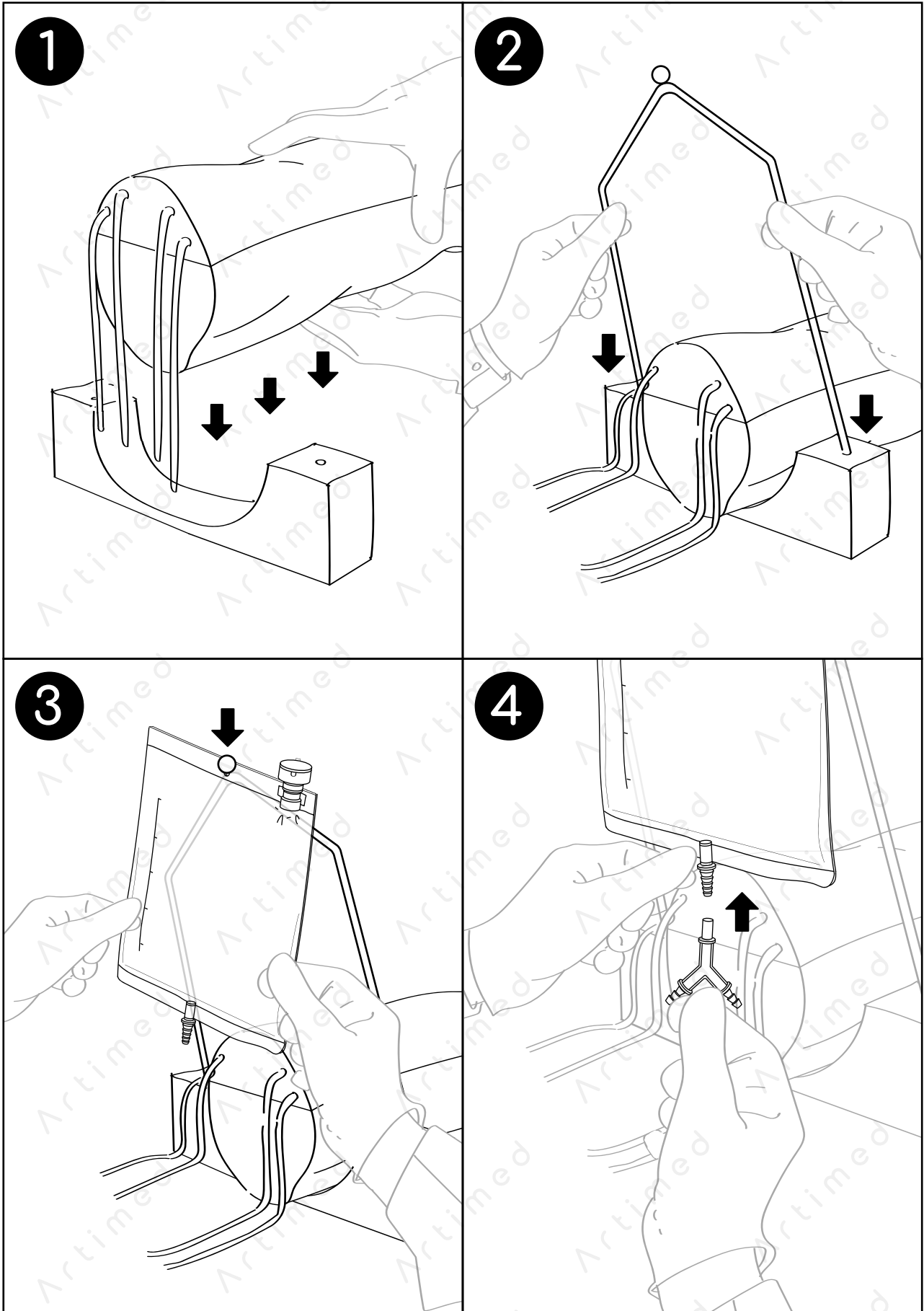


Recommend clinical supply sizes	
Needle	21 g.
Angio catheter	22 - 22 g.

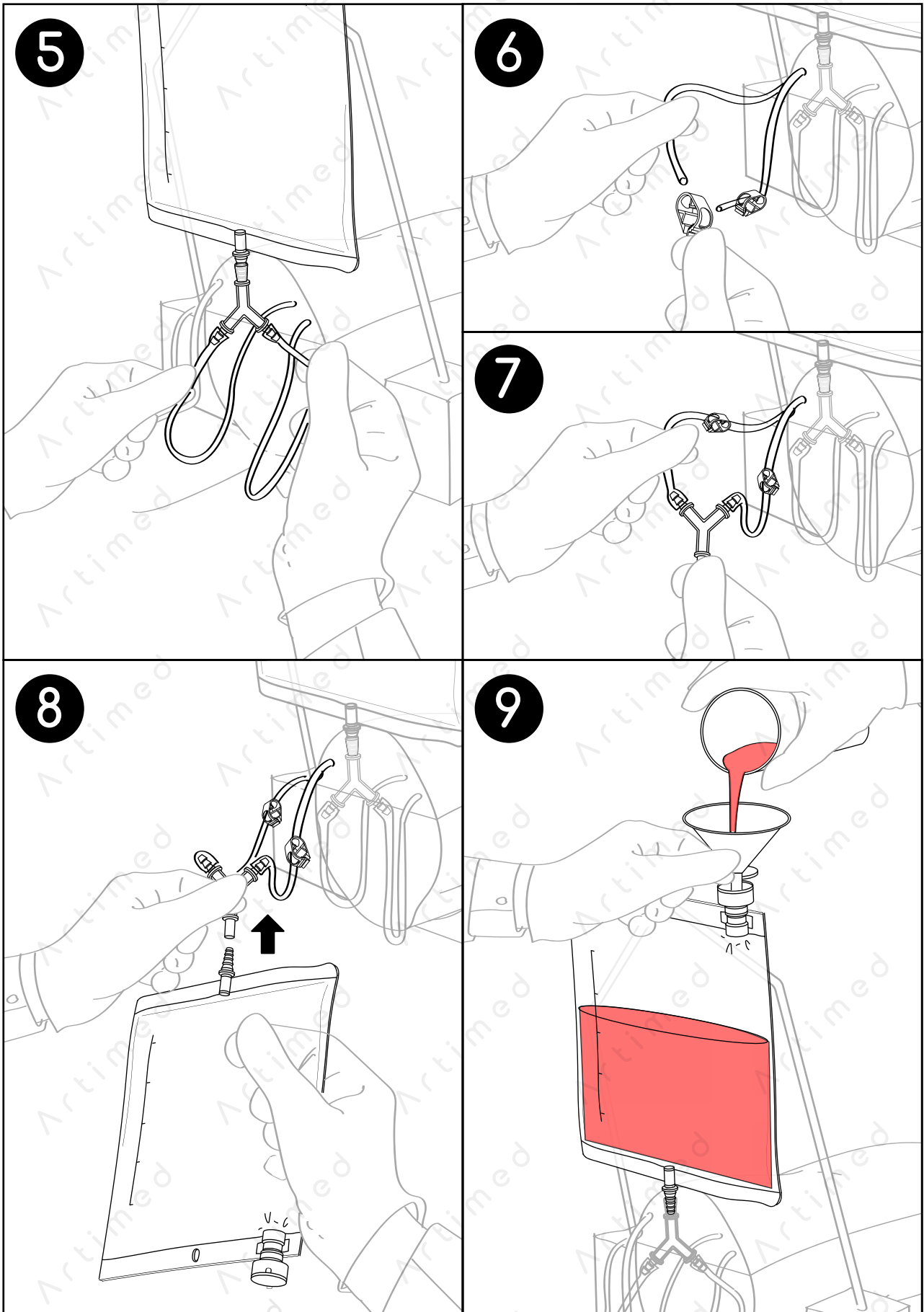
## a. Arm assembly ( ขั้นตอนการประกอบแขน )



## b. Blood bag and stand assembly ( ขั้นตอนการประกอบถุงเลือดกับที่แขวน )



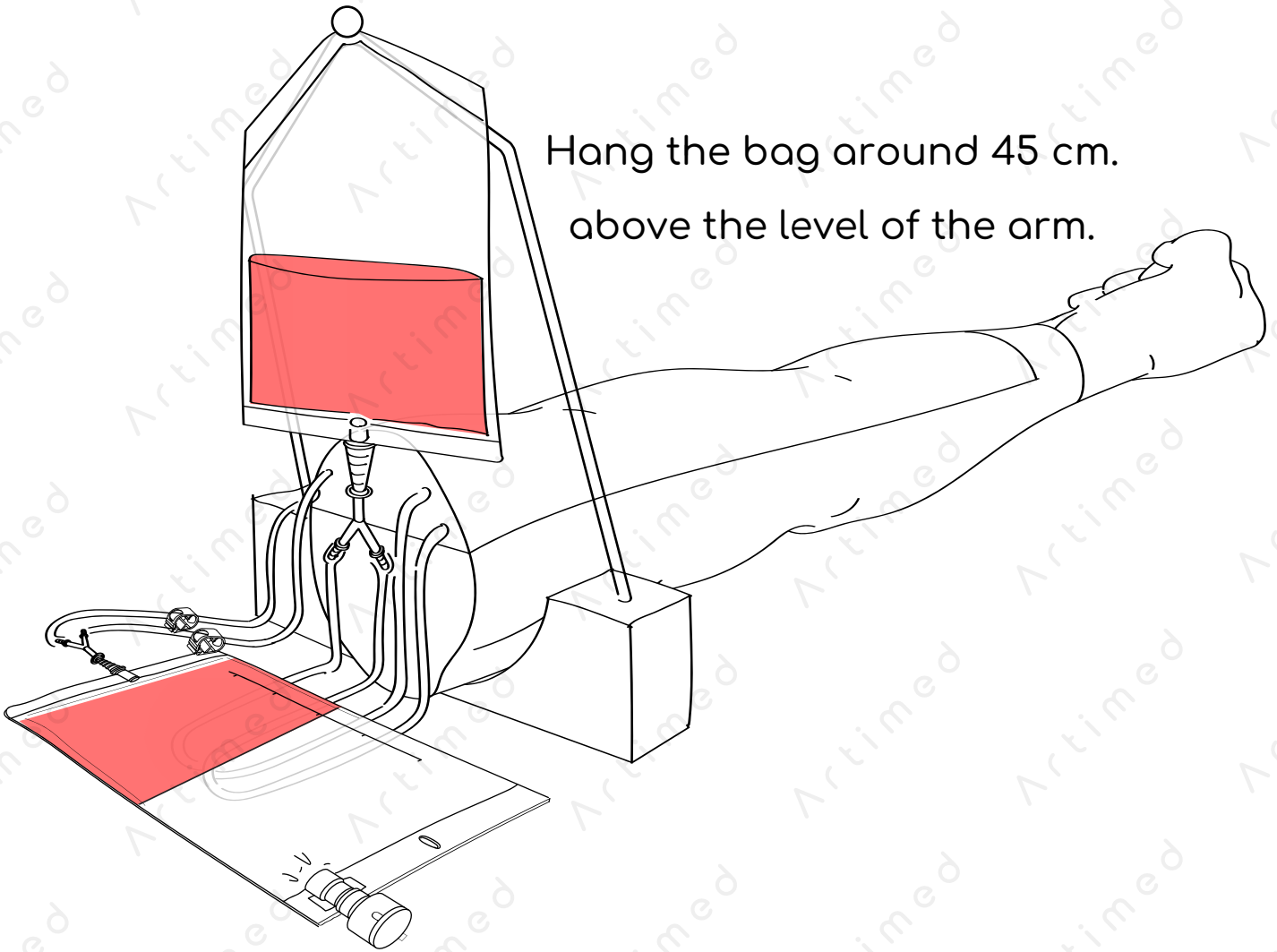
## b. Blood bag and stand assembly ( ขั้นตอนการประกอบถุงเลือดกับที่แขวน )



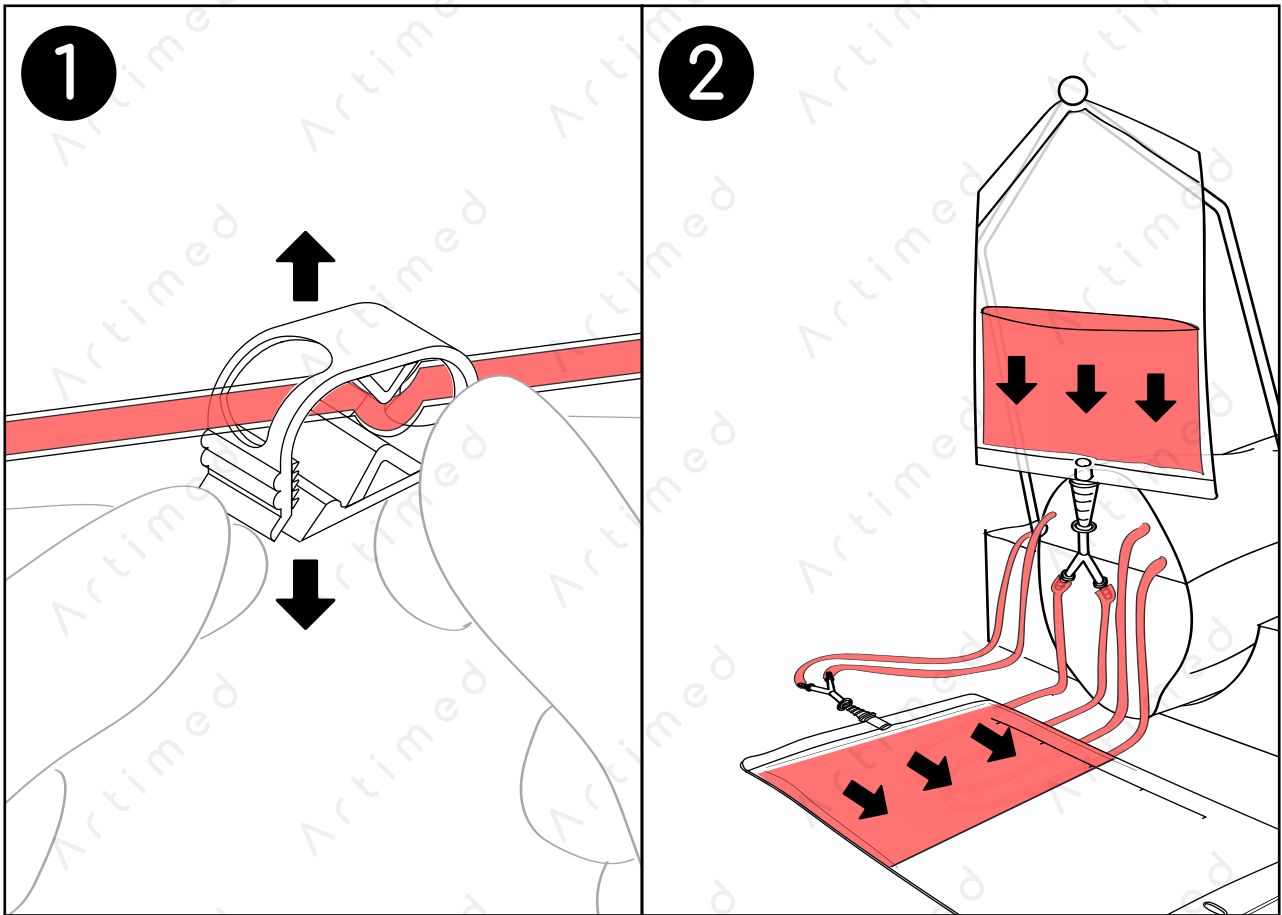


## b. Blood bag and stand assembly ( ขั้นตอนการประกอบถุงเลือดกับที่แขวน )

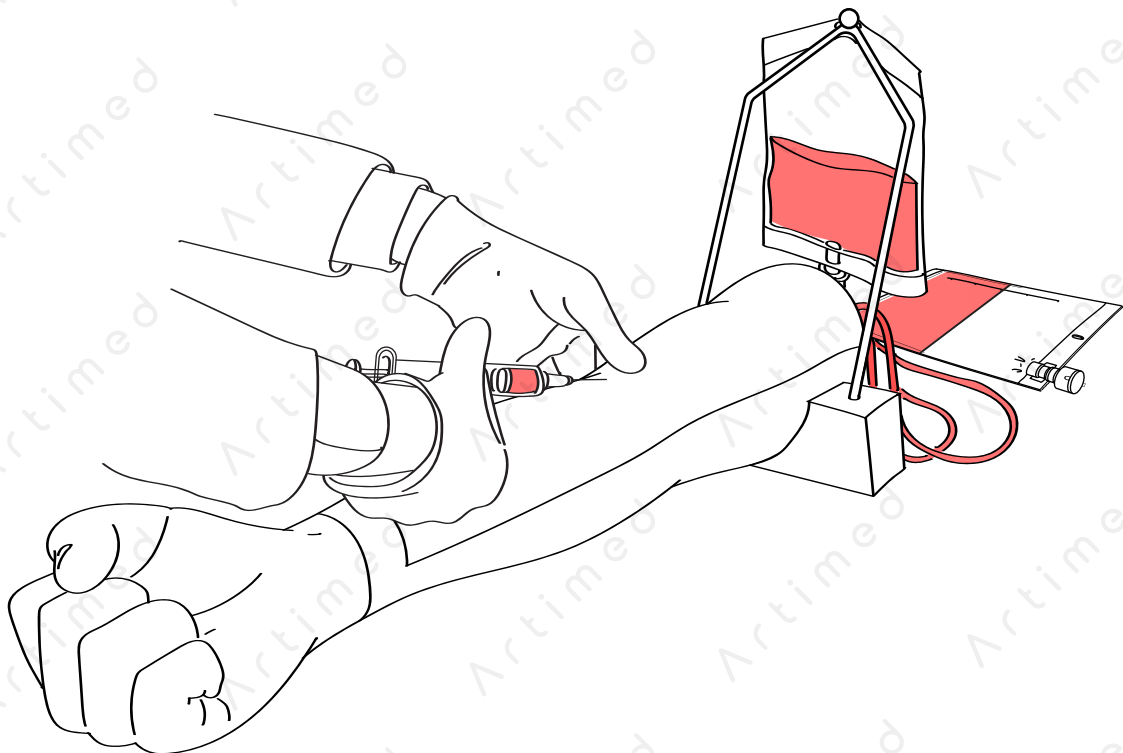
Hang the bag around 45 cm.  
above the level of the arm.



## c. Install the system

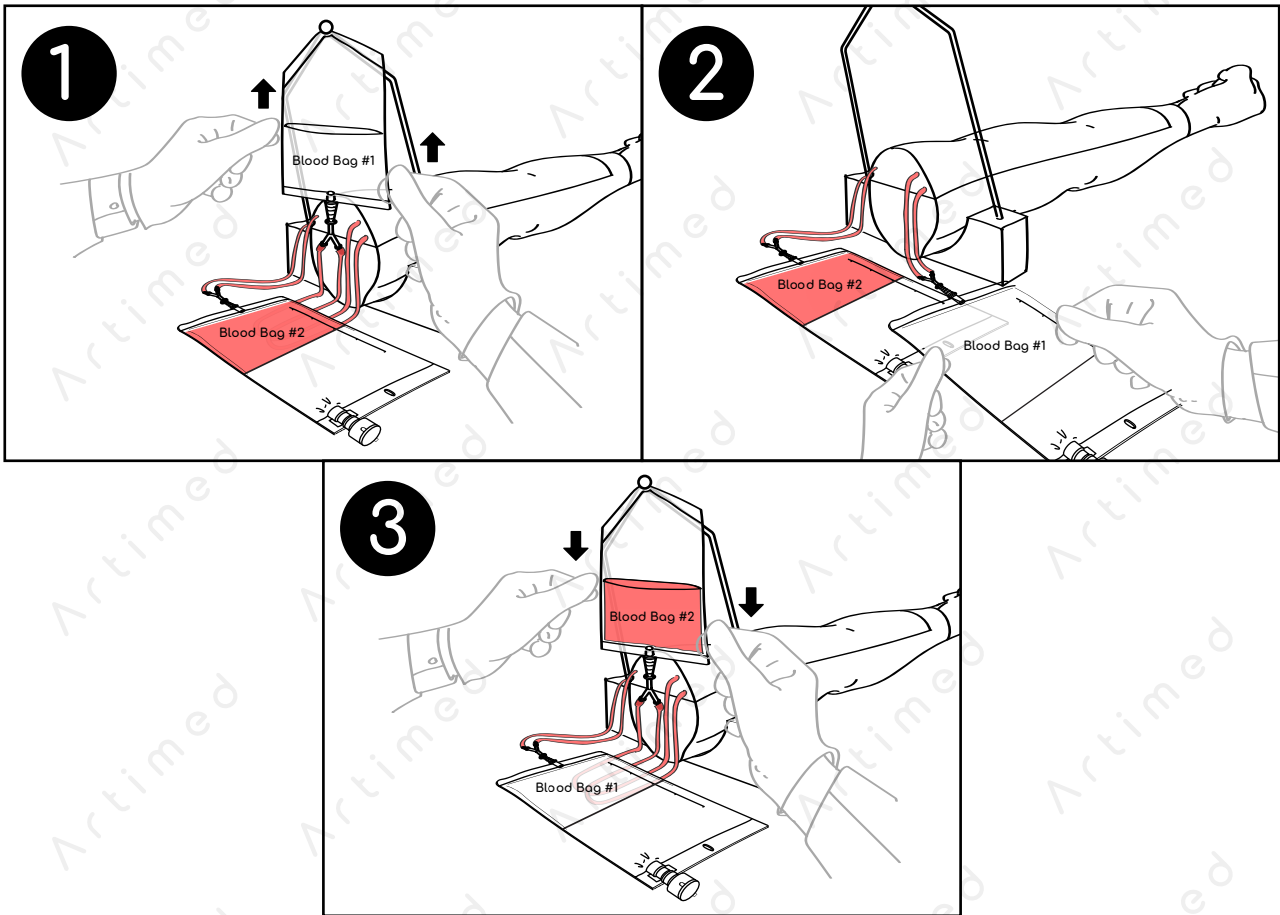


Ready for simulate

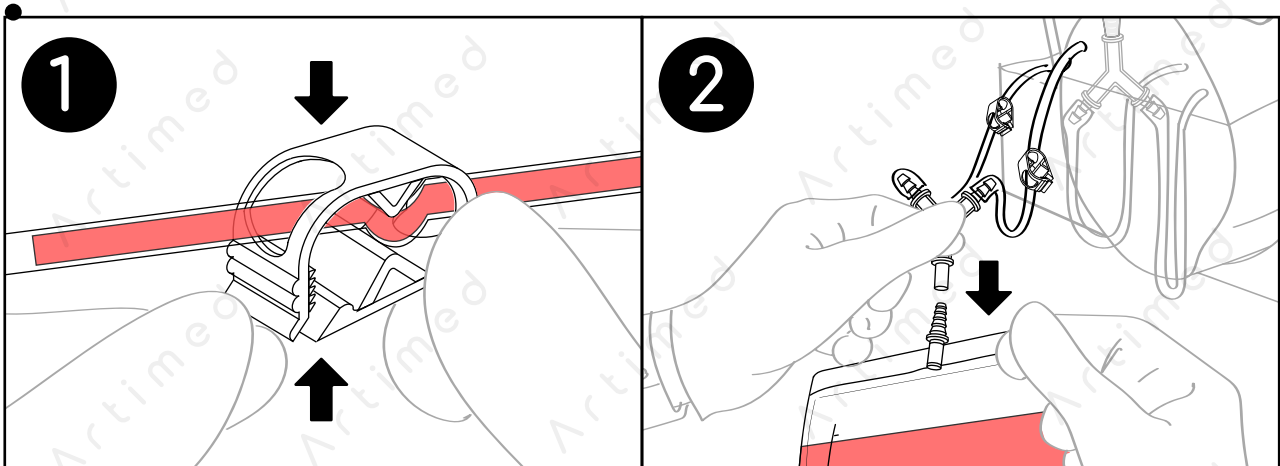


# INSTRUCTION FOR USE DURING SIMULATION

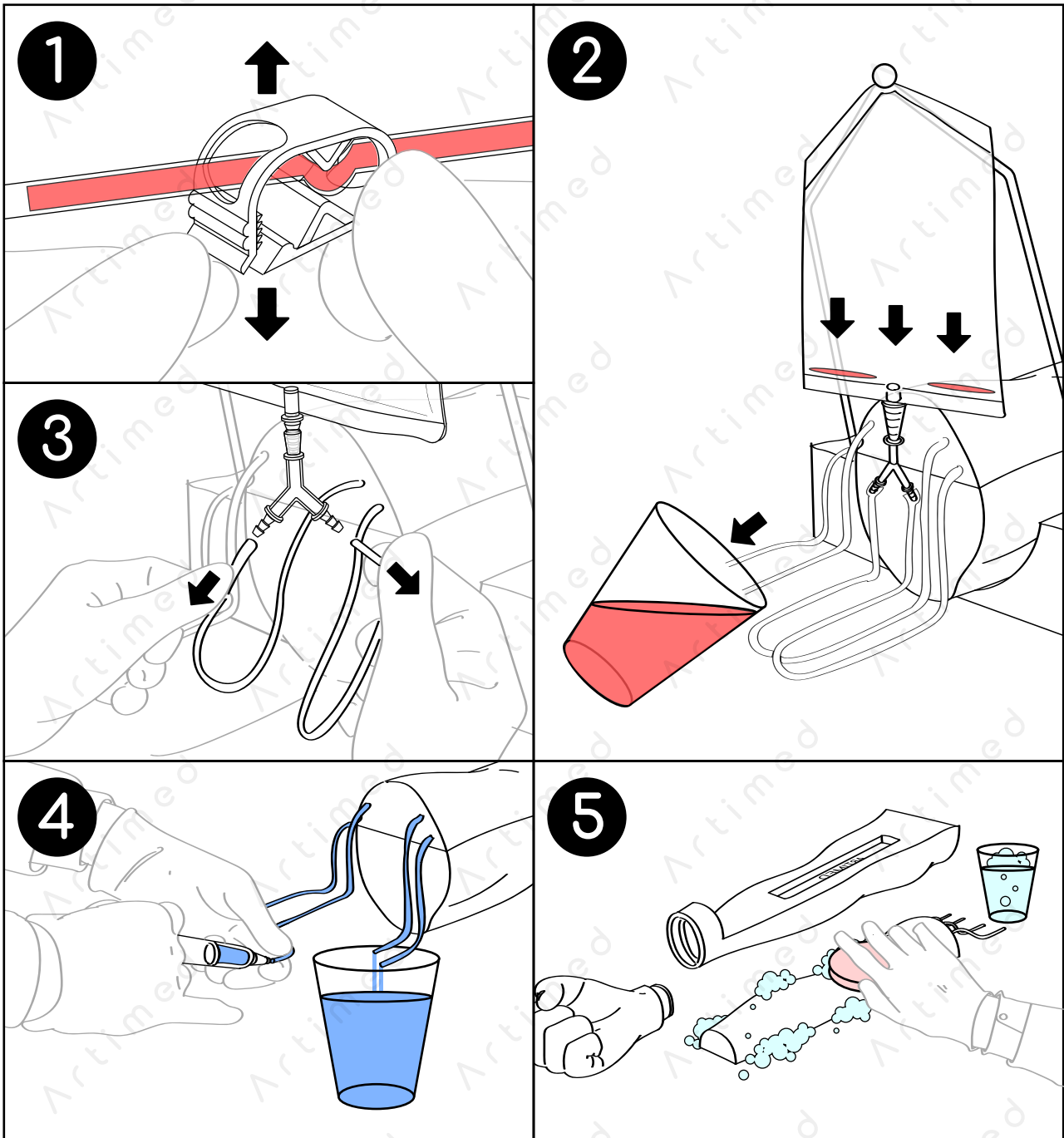
- Reposition the blood bag



Clamp the line to replace the blood bag



## Cleaning system

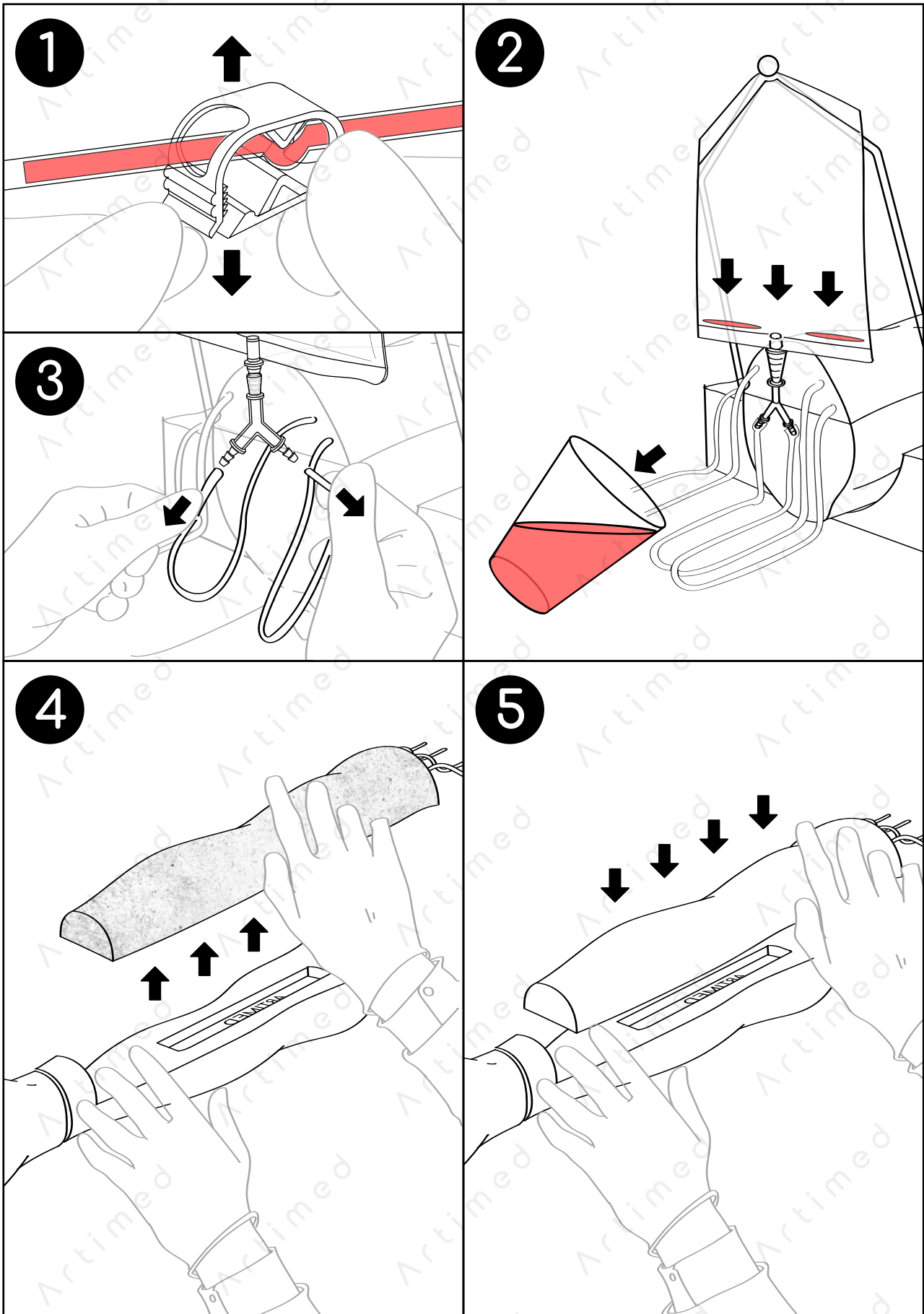


Clean the product using a soft cloth or sponge with warm water and detergent.

Drain all fluids before storage or transportation.

# COMPONENT REPLACEMENT

Install new skin pad



## **Trouble shooting**

**If blood does not flow through the arm, there is likely a restriction somewhere within the system. Restrictions may be caused by air bubbles or dried blood in the tubing.**

### **1. Check for Kinks in the Tubing**

**Inspect the tubing connected to the fluid supply bags. If a clamp has remained in the same spot for a long time, the tube may become kinked, restricting flow even when the clamp is open.**

**-Gently massage the affected area of the tubing to reopen the passage.**

**-Change the position of the clamps regularly to prevent future kinks.**

### **2. Fluid Supply Bag Height**

**Ensure the fluid supply bag is hung at the correct height as specified in the instruction manual.**

### **3. Air Bubbles in the System**

**-Slowly open the supply clamp to gradually flush the system with synthetic blood.**

**-Allow some blood to pass through until air bubbles are fully eliminated into the drain bag.**

**-Close the clamp, turn the arm palm-up, and reopen the clamp slowly to remove any remaining trapped air.**

### **4. Dried Blood in Veins from Previous Use**

**If the arm has been used before, there may be dried sediment in the tubing:**

**-Using syringe run a clear warm water through the system to clear blockages.**

### **5. Check Connections and Injection Points**

**Inspect all vein module connections for proper fit.**

**If there is no visible leakage, but flow is still restricted around common injection areas, this may indicate the skin-pad module needs replacement.**

## **Warranty**

### 1 Year Warranty

All products manufactured by Artimed are covered by a 1-year warranty. This warranty applies to models that have been used appropriately and covers both durability and functionality.

## **Contract support**

If you require further information please contact our sales department.  
We will be pleased to assist you with your enquiry.

Address: ARTIMED COMPANY LIMITED 10/145 Moo 3 Tambon Samrong Nuea  
Amphoe Mueang Samutprakarn THAILAND 10270

Tel: +66 92-919-9294

E-mail: [artimed.official@gmail.com](mailto:artimed.official@gmail.com)

Website: [www.artimed.co](http://www.artimed.co)

Artimed